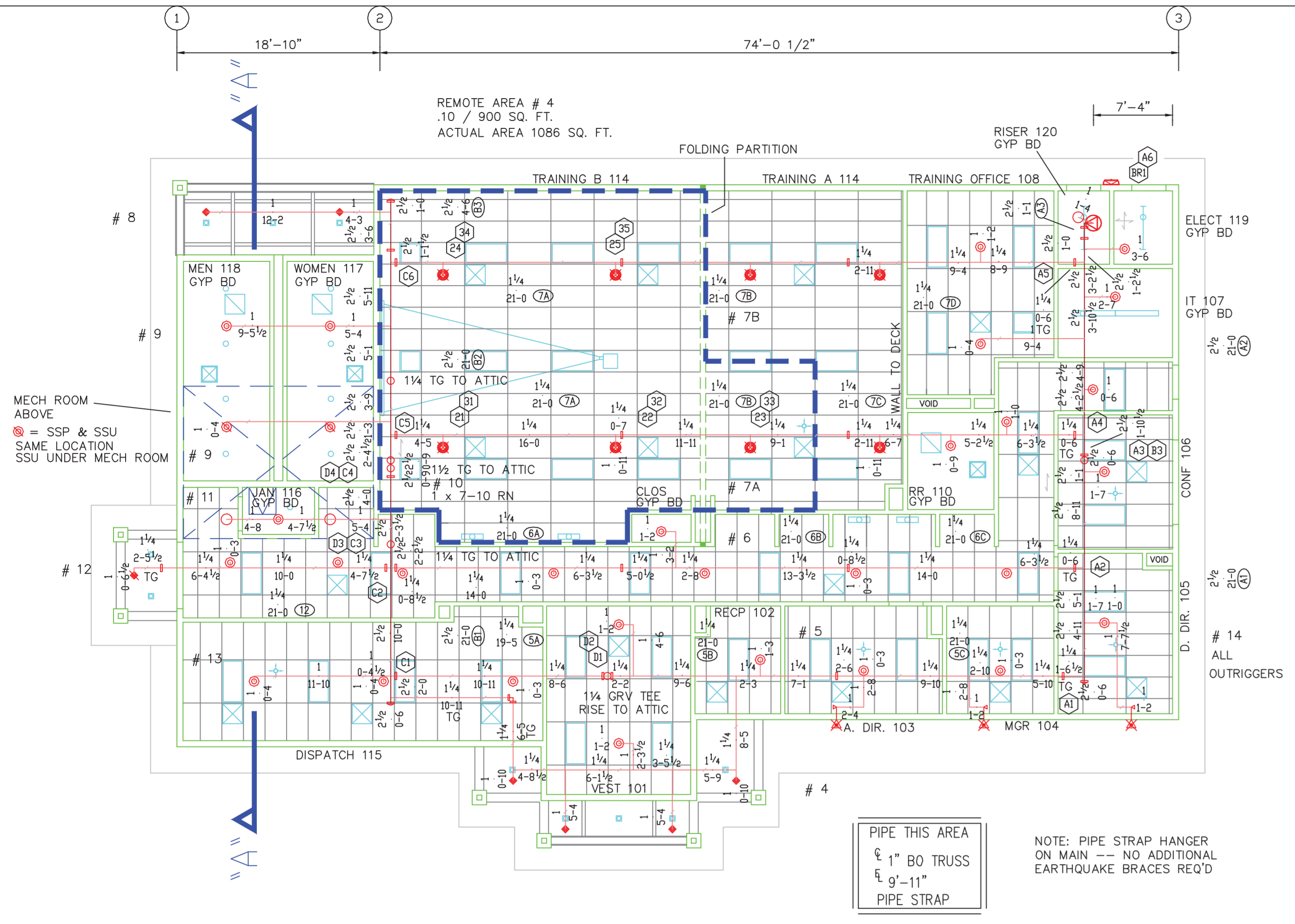
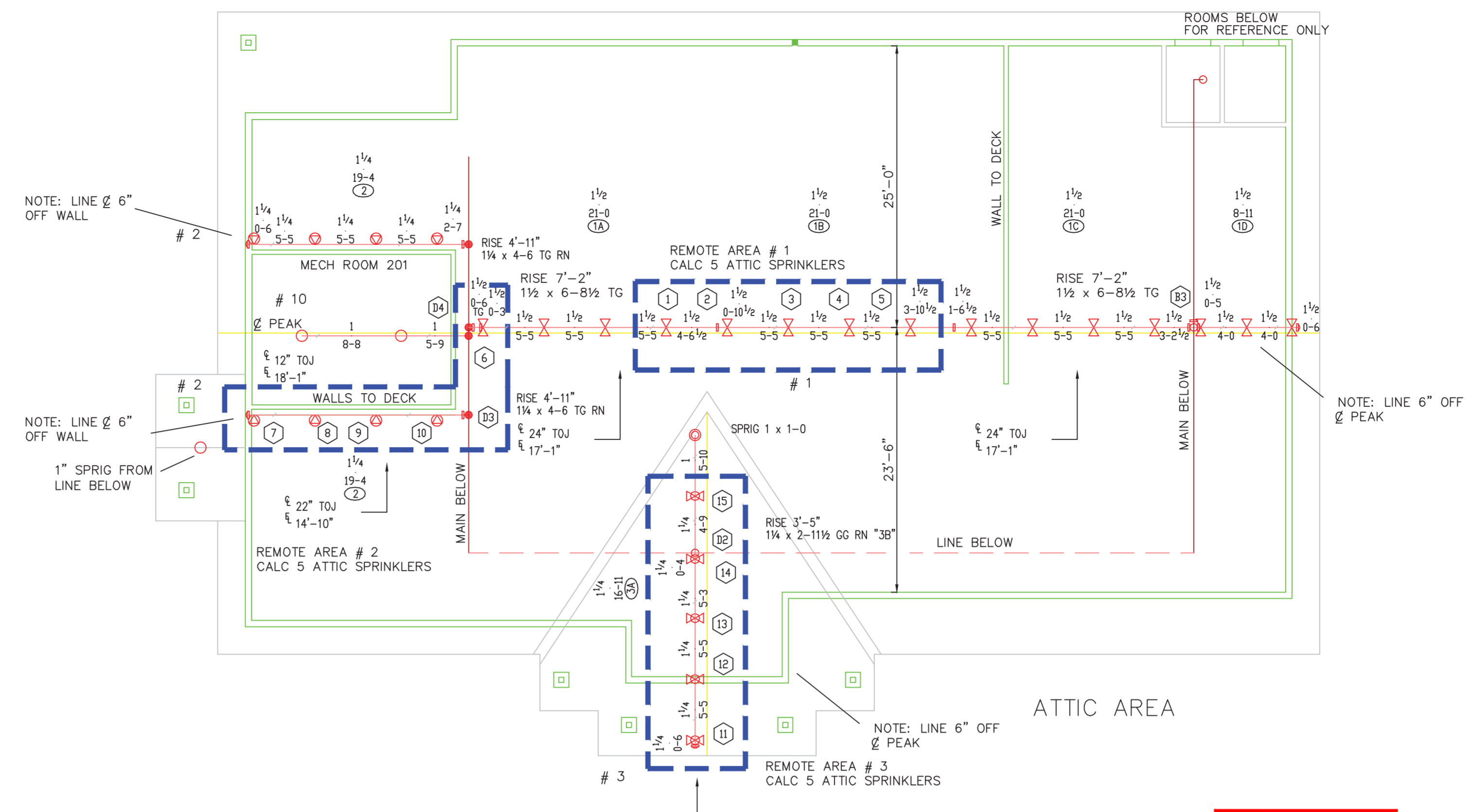


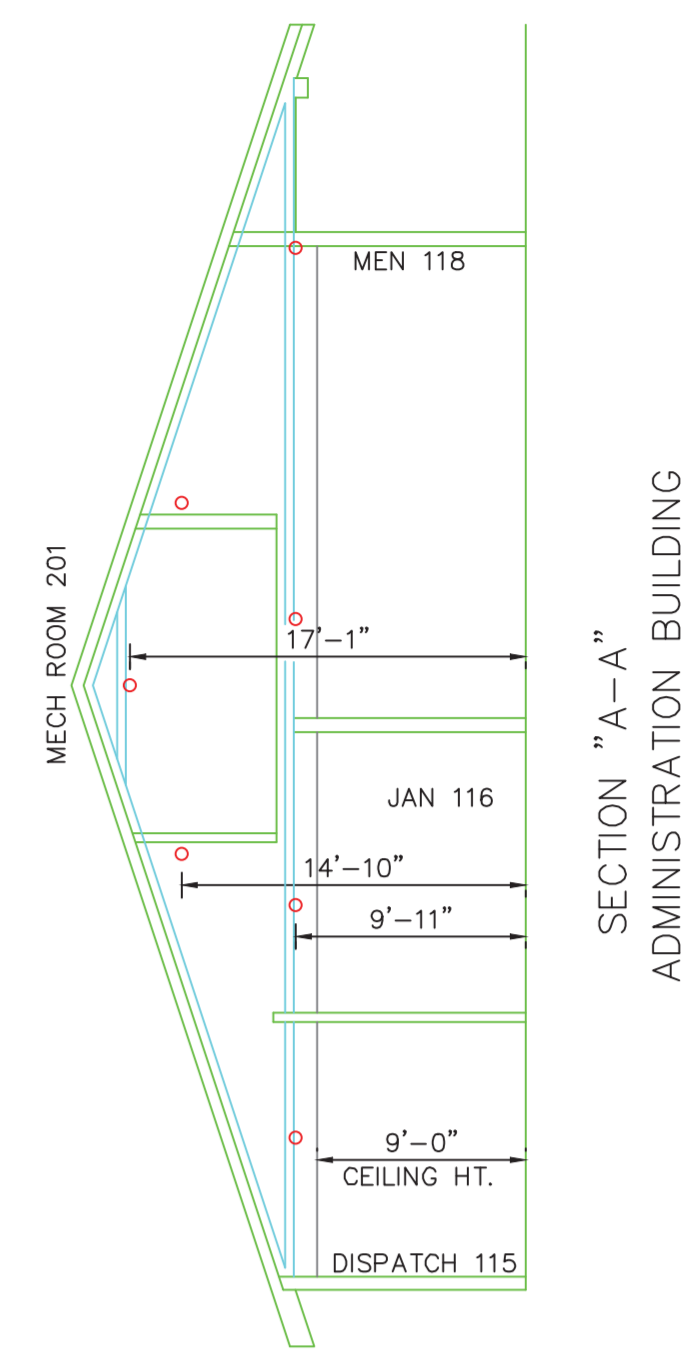
CITY OF BEND STAMP



ADMINISTRATION BUILDING CEILING AREA



ATTIC AREA

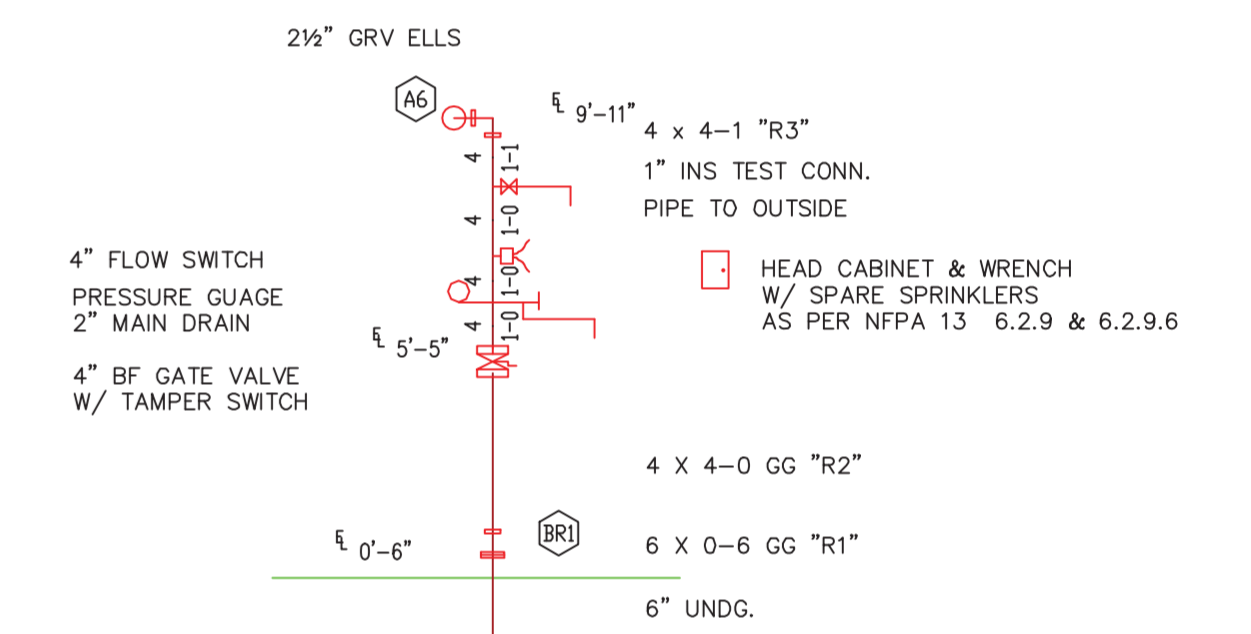


SECTION "A-A" ADMINISTRATION BUILDING

- GENERAL NOTES**
- DESIGN LIGHT HAZARD 1 / 1500 SQ. FT. (ADJUST FOR QR HEADS IF ALLOWED)
 - MAIN PIPING TO BE THINWALL SCH. 10 PIPE WITH GROOVED FITTINGS.
 - BRANCH LINE PIPING TO BE SCH. 10 PIPE WITH GROOVED / WELDED FITTINGS.
 - SYSTEM TO BE IN ACCORDANCE WITH NFPA # 13.
 - ALL UNDERGROUND PIPING (BY OTHERS) TO BE INSTALLED, BLOCKED, RODDED, FLUSHED, AND TESTED IN ACCORDANCE WITH NFPA # 13 & # 24 & # 25.
 - SYSTEM TO BE TESTED AT 200 # FOR 2 HOURS.
 - SEE NOTES ON SPRINKLER DESIGN
- DESIGN DEFINITIONS FROM NFPA 13 2010 EDITION:**
- LIGHT HAZARD: NFPA 5.2 "OCCUPANCIES SHALL BE DEFINED AS OCCUPANCIES OR PORTIONS OF OTHER OCCUPANCIES WHERE THE QUANTITY AND / OR COMBUSTIBILITY OF CONTENTS IS LOW AND FIRES WITH RELATIVELY LOW RATES OF HEAT RELEASE ARE EXPECTED.
 - NFPA A5.2 GIVES EXAMPLES OF LIGHT HAZARD OCCUPANCY AS: UNUSED ATTIC, OFFICE, AND RESTAURANT SEATING AREAS
 - ANY APPLICATION (TENANT) OTHER THAN THOSE MENTIONED ABOVE WILL NEED TO BE VERIFIED BY FIRE MARSHALL AS A LIGHT HAZARD OCCUPANCY.
 - SPRINKLER SYSTEM MAY NEED TO BE REVISED IF TENANT DOES NOT MEET THE ABOVE CRITERIA.
 - THE SPRINKLER SYSTEM FOR THIS BUILDING IS DESIGNED AND INSTALLED IN ACCORDANCE TO THE CURRENT (ADOPTED) EDITIONS OF NFPA.

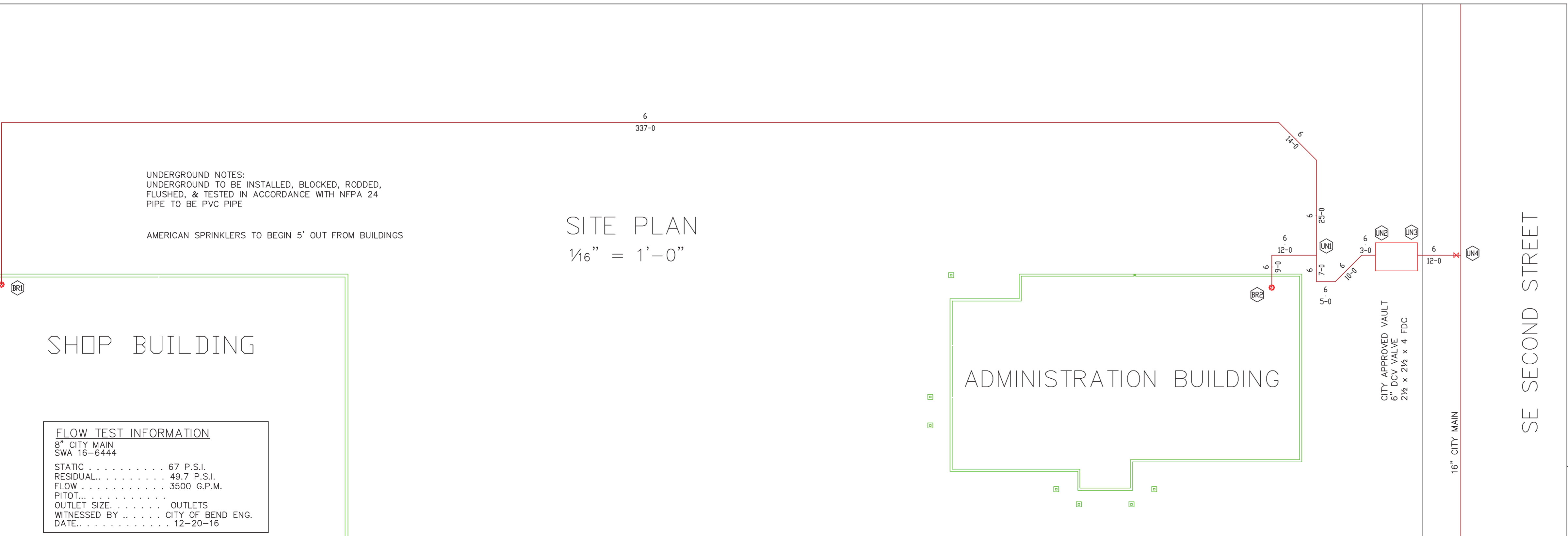
SYSTEM NUMBER: 1 REMOTE AREA NUMBER: 1 ATTIC AREA AREA 1
 OCCUPANCY CLASSIFICATION: LIGHT HAZARD
 DENSITY: AREA OF APPLICATION: CALC 5 ATTIC SSSU
 NO. OF HEADS CALC'D: 5
 MAX. 400 SQ. FT. PER HEAD ORIFICE SIZE: 17/32"
 SPRINKLER SYSTEM DEMAND: 191.1 GPM AT 45.6 PSI AT BASE OF RISER
 HOSE STREAM REQUIRED: GPM (INSIDE) 100 GPM (OUTSIDE)
 TOTAL WATER REQUIRED: 291.1 GPM AT 52.7 PSI AT CITY CONN.
 PRESSURE AVAILABLE: 66.8 PSI 14.1 PSI SAFETY FACTOR

SYSTEM NUMBER: 1 REMOTE AREA NUMBER: 2 ATTIC AREA AREA 2
 OCCUPANCY CLASSIFICATION: LIGHT HAZARD
 DENSITY: AREA OF APPLICATION: CALC 5 ATTIC SSSU
 NO. OF HEADS CALC'D: 5
 MAX. 180 SQ. FT. PER HEAD ORIFICE SIZE: 1/2"
 SPRINKLER SYSTEM DEMAND: 148.3 GPM AT 45.7 PSI AT BASE OF RISER
 HOSE STREAM REQUIRED: GPM (INSIDE) 100 GPM (OUTSIDE)
 TOTAL WATER REQUIRED: 248.3 GPM AT 52.7 PSI AT CITY CONN.
 PRESSURE AVAILABLE: 66.9 PSI 14.2 PSI SAFETY FACTOR



RISER DETAIL SCALE: 1/4" = 1'-0"

NOTE: FLOW SWITCH AND TAMPER SWITCHES TO BE CONNECTED TO CENTRAL ALARM STATION BY OTHERS.
 NOTE: ALL RISERS TO HAVE IDENTIFICATION SIGNS AS PER NFPA 13 SECTION 6.7.4.1 ALONG WITH HYDRAULIC CALC. PLAQUE AS PER SECTION 16.5

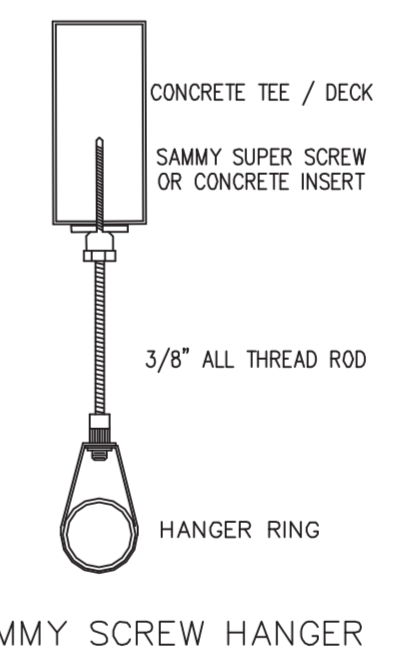


SITE PLAN 1/16" = 1'-0"

UNDERGROUND NOTES:
 UNDERGROUND TO BE INSTALLED, BLOCKED, RODDED, FLUSHED, & TESTED IN ACCORDANCE WITH NFPA 24
 PIPE TO BE PVC PIPE

AMERICAN SPRINKLERS TO BEGIN 5' OUT FROM BUILDINGS

FLOW TEST INFORMATION
 SWA CITY MAIN
 SWA 16-6444
 STATIC 67 P.S.I.
 RESIDUAL 49.7 P.S.I.
 FLOW 3500 G.P.M.
 PILOT
 OUTLET SIZE
 OUTLETS
 WITNESSED BY CITY OF BEND ENG.
 DATE 12-20-16



SAMMY SCREW HANGER

- ATTIC SPRINKLERS REQUIREMENTS**
- MAX. DISTANCE BETWEEN SPRINKLERS IS 6'-0"
 - MIN. DISTANCE BETWEEN SPRINKLERS IS 4'-0"
 - MIN. DISTANCE FROM FACE OF TRUSS IS 6"
 - MAX. DISTANCE FROM CENTER LINE OF RIDGE IS 6"
 - DEFLECTOR DISTANCE 22" MAX. AND 16" MIN.
 - SYSTEM CAN BE WET OR DRY SYSTEMS.

SPRINKLER SYMBOL DESCRIPTION										
SYMBOL	MAKE	MODEL	STYLE	COLOR	SN #	ORIFICE	TEMP	K-FACTOR	TOTAL	
○	GLOBE	QR	BULB	SSU	BRASS	GL5615	1/2"	175°	5.6	10
●	GLOBE	QR	BULB	SSP	CHROME	GL5610	1/2"	155°	5.6	31
⊕	GLOBE	QR	BULB	EC SSP	CHROME	GL1112	64"	155°	11.2	8
⊖	GLOBE	QR	BULB	DRY HSW	BRASS	GL5641	1/2"	175°	5.6	3
⊙	GLOBE	QR	BULB	DRY SSP	BRASS	GL5635	1/2"	155°	5.6	7
⊗	TYCO	QR	ATTIC	BB1	BRASS	TY180	1/2"	200°	5.6	6
⊘	TYCO	QR	ATTIC	SD1	BRASS	TY183	1/2"	212°	5.6	9
⊙	TYCO	QR	ATTIC	BB1	BRASS	TY480	17/32"	200°	8.0	16
TOTAL SPRINKLERS									90	
TOTAL SPRINKLERS REQUIRED ON THIS CONTRACT									199	

SYMBOLS	REVISIONS
Y	2" PIPE STAND
⊕	MAN PIECE NUMBER
#	LINE NUMBER
⊕	CENTERLINE OF PIPE
⊕	ELEVATION OF PIPE AFF
⊕	HANGER LOCATION
⊕	TOP OF JOIST (STEEL)
⊕	BOTTOM OF CONCRETE DECK
⊕	2 WAY EARTHQUAKE BRACE
⊕	4 WAY EARTHQUAKE BRACE
⊕	ELEVATION BOP

AMERICAN SPRINKLERS, INC.
 7950 N. LINE PINE ROAD
 (541) 504-0837 (503) 289-3095 PORTLAND
 (541) 504-4244 FAX (503) 541286-2640 PORTLAND FAX
 (541) 548-8879 CELL PHONE
 TERREBONNE, OREGON 97760

BLS TRANSPORTATION FACILITY ADMINISTRATION & SHOP BUILDINGS
 501 S.E. 2 ND STREET
 BEND, OREGON 97702

OWNER:
 BEND LAPINE SCHOOLS
 520 NW WALL STREET
 BEND, OREGON 97703

BUILDING AREA:
 5,868 SQ. FT.

DATE:
 4-18-17

SCALE:
 1/4" = 1'-0"

JOB NO.:
 2017-10

BY:
 C. HEGELE

SHEET:
 FP 2 OF 2