

PLANTING NOTES:

- A. DO NOT WILLFULLY PROCEED WITH PLANTING OPERATIONS WHEN IT IS OBVIOUS THAT UNKNOWN OBSTRUCTIONS AND GRADE DIFFERENCES EXIST THAT MAY NOT HAVE BEEN KNOWN THE DURING DESIGN PROCESS. BRING SUCH CONDITIONS IMMEDIATELY TO ATTENTION OF OWNER'S AUTHORIZED REPRESENTATIVE FOR RESOLUTION. ASSUME FULL RESPONSIBILITY FOR COSTS INCURRED AND REQUIRED MODIFICATIONS DUE TO LACK OF PROVIDING SUCH NOTIFICATION.
- B. ENSURE THAT FINISH GRADE ELEVATIONS OF PLANTING AREAS ARE SET AT THE PROPER ELEVATIONS RELATIVE TO PAVING FINISH SURFACE ELEVATIONS, UTILITY COVERS AND CURBS. SHRUBS PLANTING AREAS AT 2" BELOW AND LAWN 1" BELOW ADJACENT GRADE. NOTIFY OWNER OF ANY DISCREPANCIES.
- C. ASSURE POSITIVE DRAINAGE IN ALL PLANTING AREAS TO DRAIN AWAY FROM BUILDING, 2% MINIMUM.
- D. PLANT MATERIAL, I.E. TREES, SHRUBS VINES, ESPALIERS AND GROUNDCOVERS, MUST BE APPROVED BY OWNER'S AUTHORIZED REPRESENTATIVE PRIOR TO INSTALLATION. PLANT MATERIAL INSTALLED WITHOUT OWNER'S AUTHORIZED REPRESENTATIVE'S APPROVAL MAY BE SUBJECT TO REMOVAL AND REPLACEMENT WITH RELATED COSTS BORNE BY CONTRACTOR.
- E. FINAL LOCATIONS OF PLANT MATERIALS ARE SUBJECT TO APPROVAL OF THE OWNER'S AUTHORIZED REPRESENTATIVE PRIOR TO INSTALLATION. PERFORM THE FOLLOWING BEFORE BEGINNING PLANTING PIT EXCAVATION:
 - E.A. SHRUBS - PLACE ACTUAL PLANT CONTAINERS ON-SITE IN "FINAL" LOCATIONS.
 - E.B. TREES - CHALK OR STAKE CENTER OF TREE.
- F. PLANTING SHALL NOT BE PERFORMED UNTIL PRE-PLANTING SOIL AMENDMENTS ARE COMPLETE AND APPROVED BY THE OWNER'S REPRESENTATIVE.
- G. IF CONFLICTS ARISE BETWEEN ACTUAL SIZE OF PLANTING AREAS ON-SITE AND
- H. THOSE AREAS INDICATED ON DRAWINGS, CONTACT OWNER'S AUTHORIZED REPRESENTATIVE FOR RESOLUTION. FAILURE TO MAKE SUCH CONFLICTS KNOWN TO OWNER'S AUTHORIZED REPRESENTATIVE IN A TIMELY FASHION MAY RESULT IN CONTRACTOR'S LIABILITY TO RELOCATE PLANT MATERIALS OR AT WORST CASE, BECOME UNABLE TO CHARGE OWNER FOR PLANT MATERIAL ALREADY PLANTED.
- I. SHRUB AND GROUNDCOVER AREAS TO RECEIVE A 2-INCH DEEP LAYER MULCH TO BE SUBMITTED FOR APPROVAL FROM LANDSCAPE ARCHITECT.
- J. AN AUTOMATIC IRRIGATION SYSTEM IS TO BE INSTALLED WITHIN ALL PLANTING AREAS PROVIDING HEAD TO HEAD COVERAGE.
- K. PROVIDE ROOT CONTROL BARRIERS FOR ALL TREES PLANTED WITHIN 5' OF A HARDSCAPE EDGE SUCH AS PAVING, WALLS, STEPS, ETC. REFER TO PLANTING DETAILS FOR ADDITIONAL INFORMATION.
- L. INSTALL PLANT MATERIAL WITH ITS BEST SIDE FACING PREDOMINATE VIEW OF PUBLIC.
- M. PROVIDE THE PROPER SETBACK BETWEEN UTILITIES AND TREES - CONTACT CITY INSPECTOR FOR REQUIRED SETBACKS IN THE CASE THAT THE DRAWINGS ARE NOT CLEAR.

TREE BACKFILL AMENDED AS FOLLOWS:

- 3 PARTS OF EXISTING TOPSOIL
- 1 PART COMPOST
- AS SPECIFIED SEE CHART

CALIPER SIZE	PERMAMATRIX POUNDS REQUIRED (DRY)
1/2"	5.00
1.5"	7.50
2.0"	10.00
2.5"	20.00
3.0"	30.00
3.5"	50.00

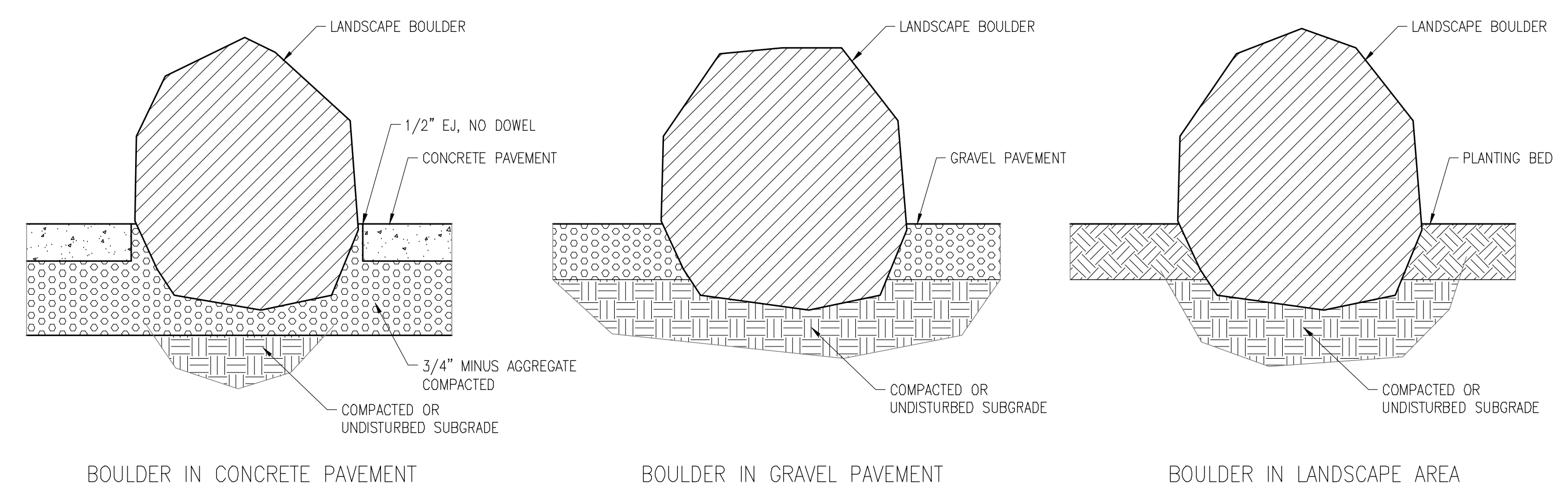
SHRUB, GRASSES AND GROUNDCOVER BACKFILL AMENDED AS FOLLOWS:

- 3 PARTS OF EXISTING TOPSOIL
- 1 PART COMPOST
- AS SPECIFIED SEE CHART

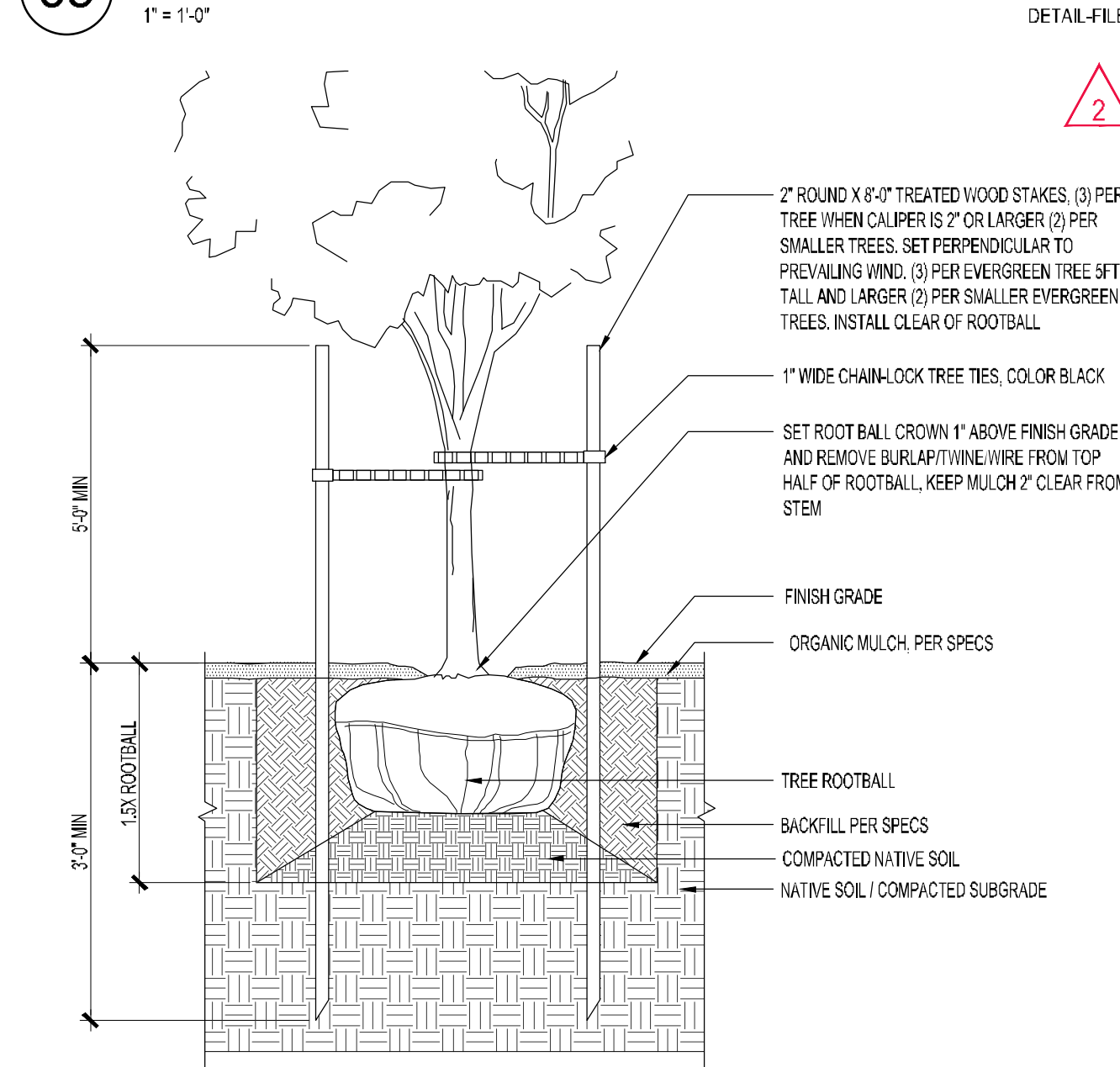
CONTAINER SIZE	PERMAMATRIX POUNDS REQUIRED (DRY)
FLUG	.05
4-INCH	.20
1 GAL.	.50
2 GAL.	.75
3 GAL.	1.25
6 GAL.	1.50
15 GAL.	5.00

PERMAMATRIX AVAILABLE LOCALLY FROM SUNMARK ENVIRONMENTAL 503.241.7333

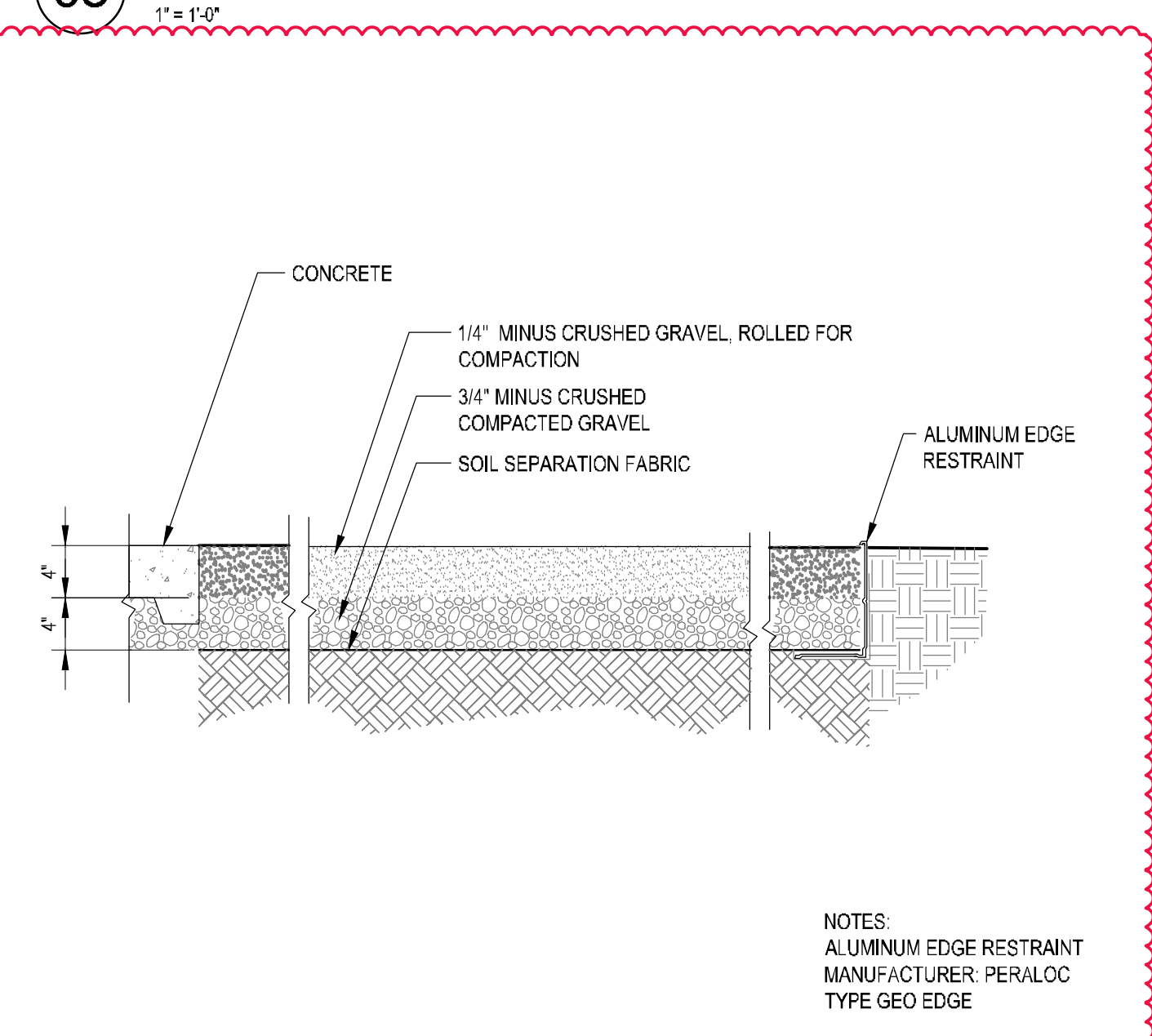
- NOTES:
1. PLACE ABOUT 1/3 OF THE BOULDER MASS BELOW FINISH GRADE.
2. FINAL LOCATION, POSITION, AND ORIENTATION OF BOULDERS AS DIRECTED IN THE FIELD.



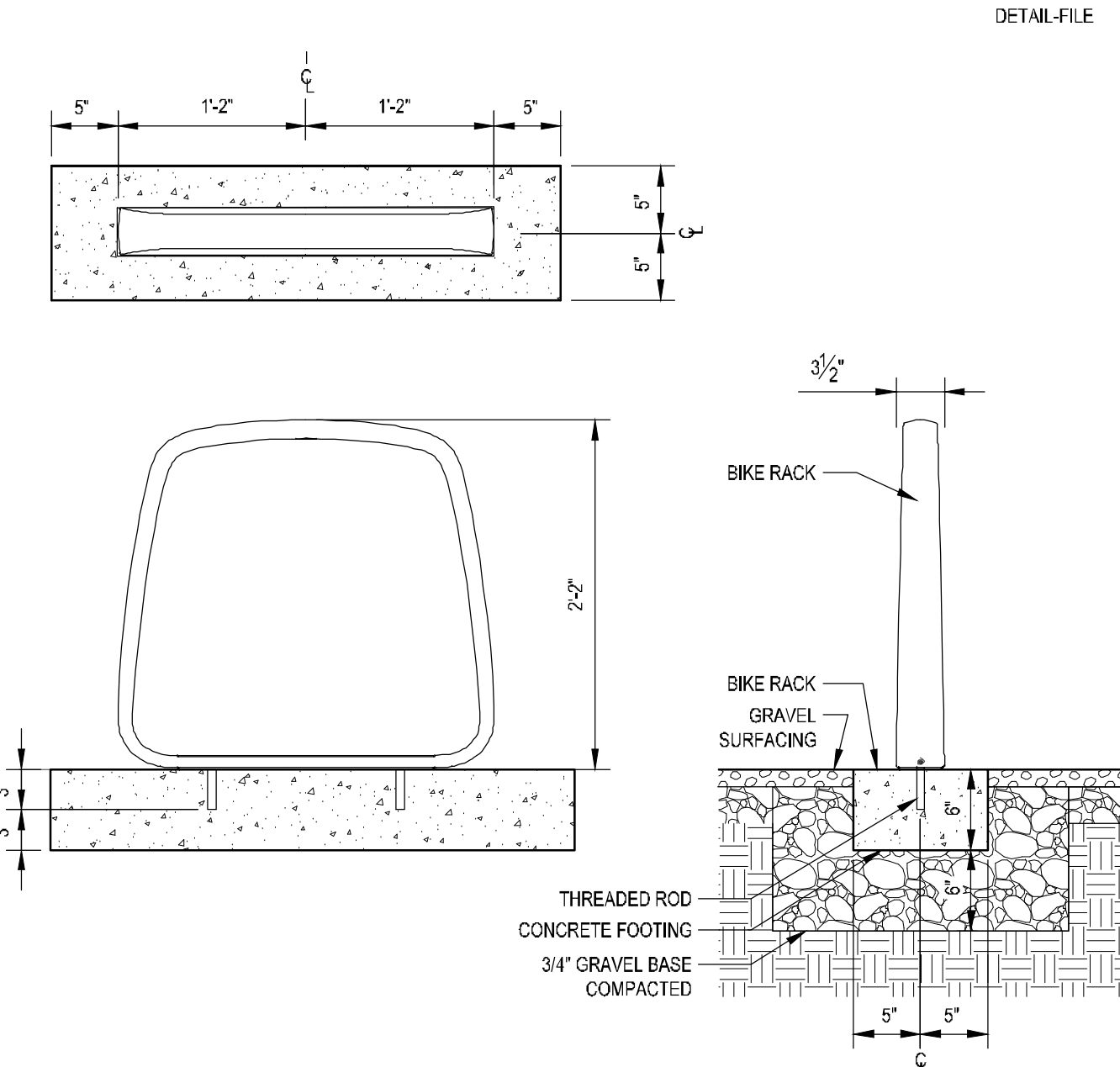
09 PLANTING BACKFILL SOIL AMENDMENT



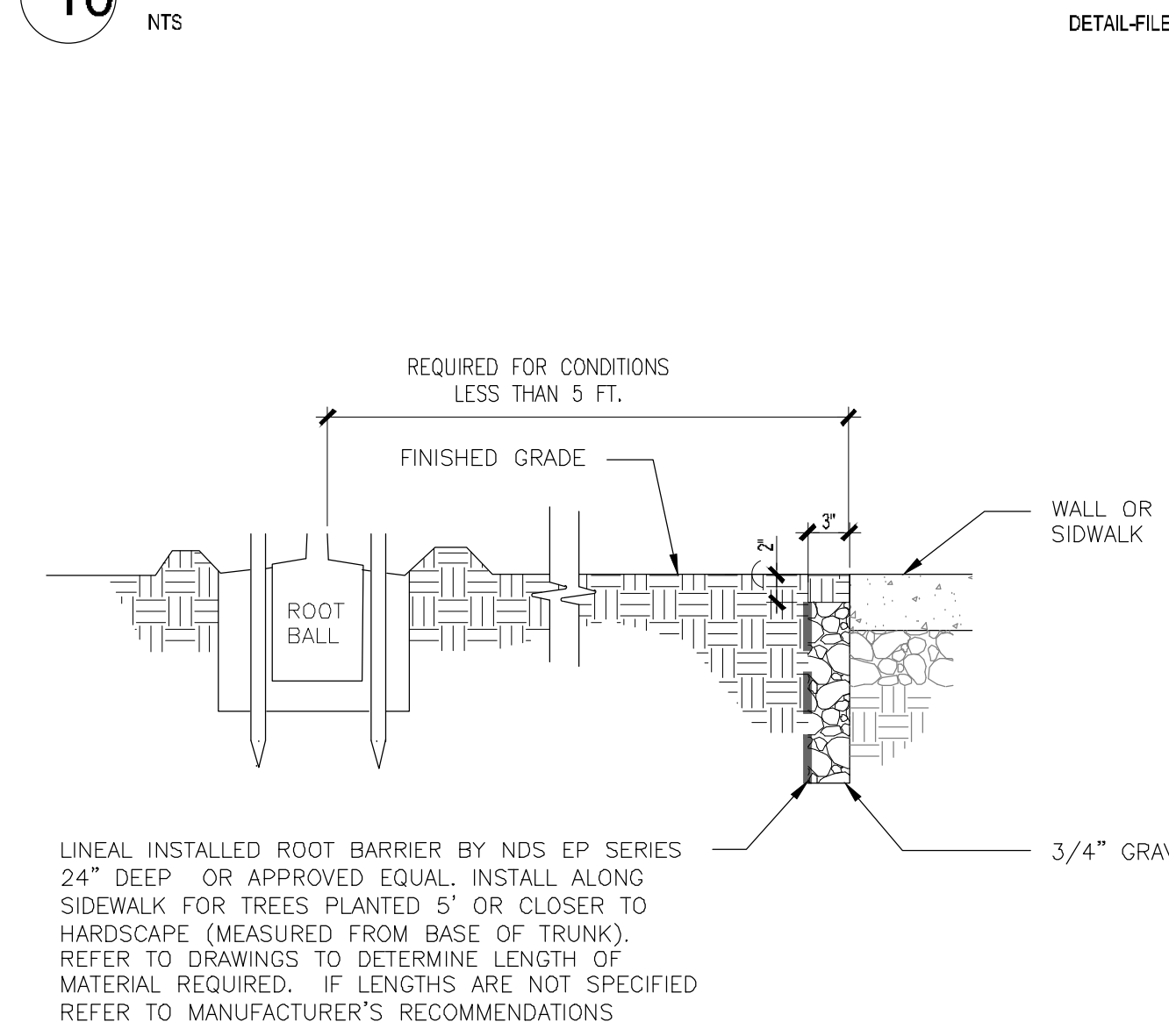
05 BOULDERS



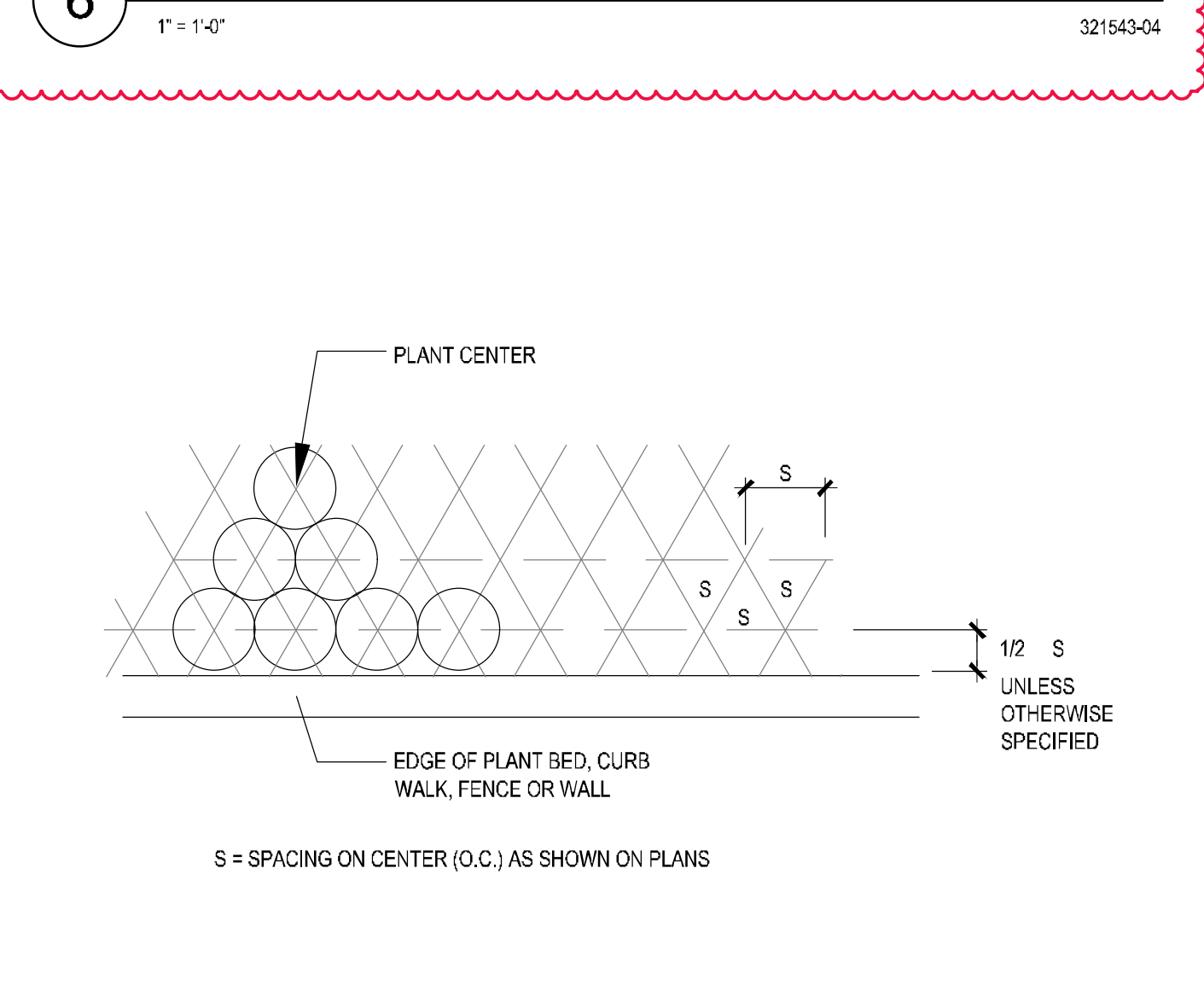
02 BIKE RACK ON GRAVEL - IMBED



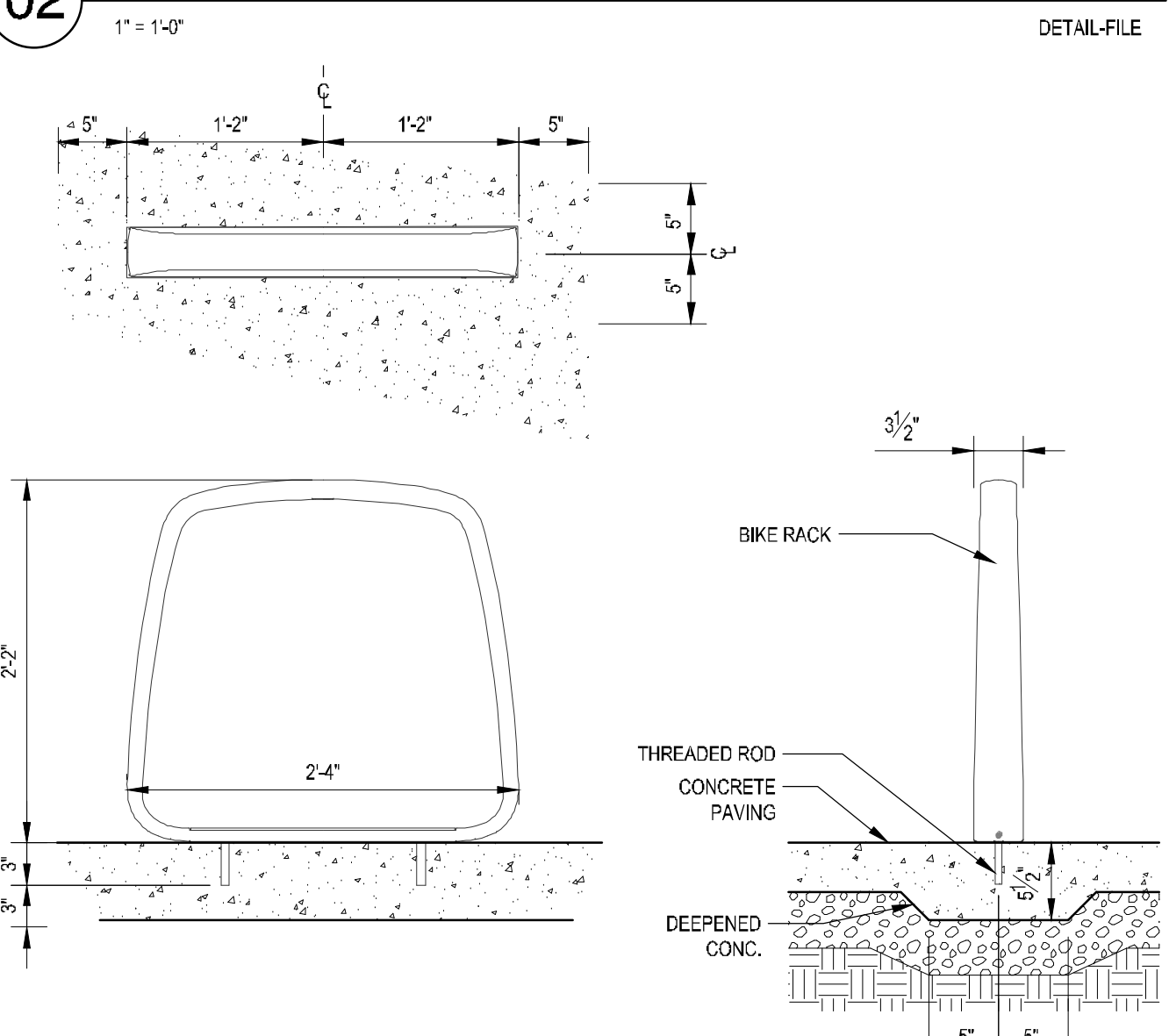
10 TREE PLANTING ON GRADE



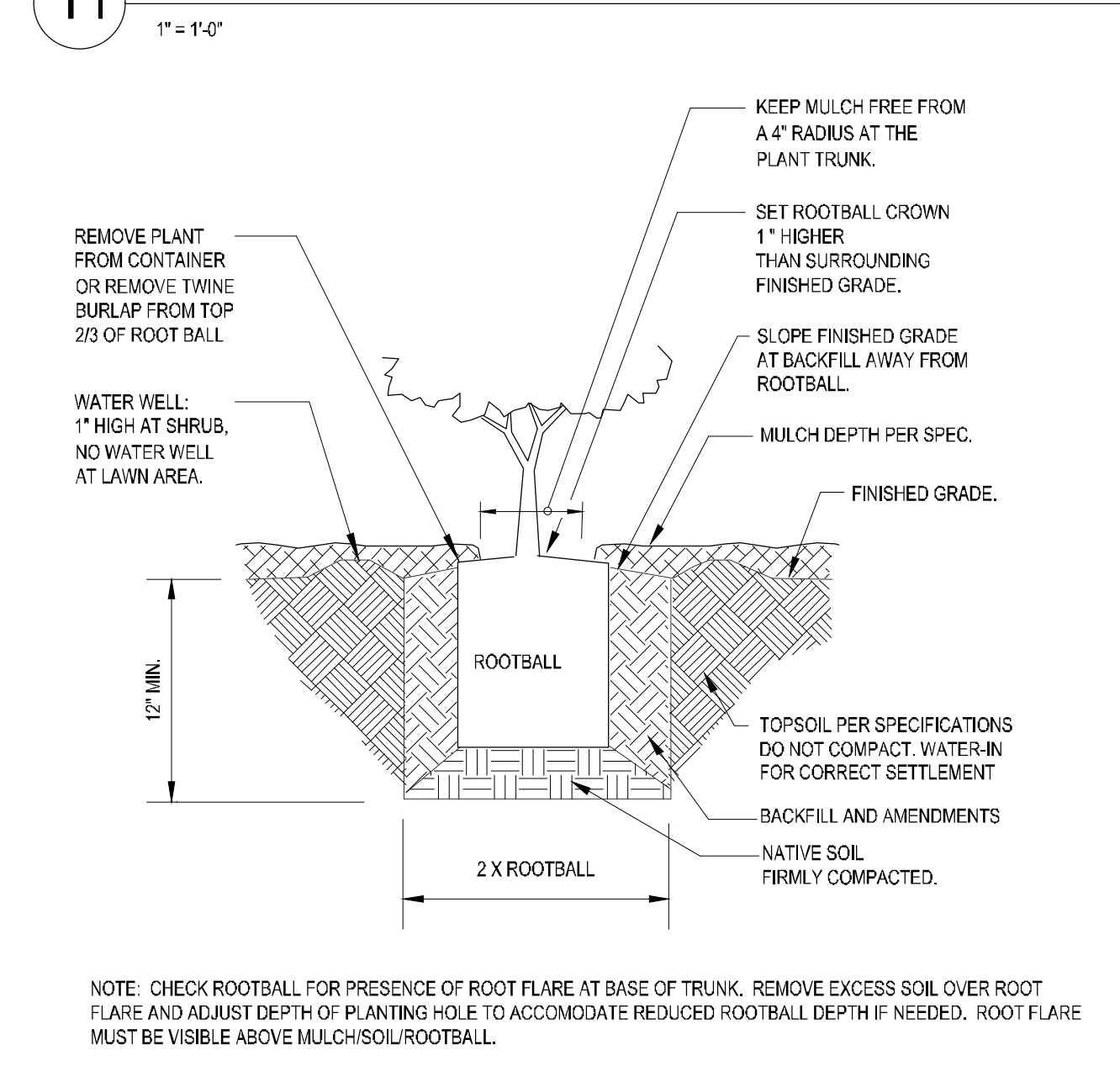
6 1/4 MINUS CRUSHED GRAVEL ON GRADE



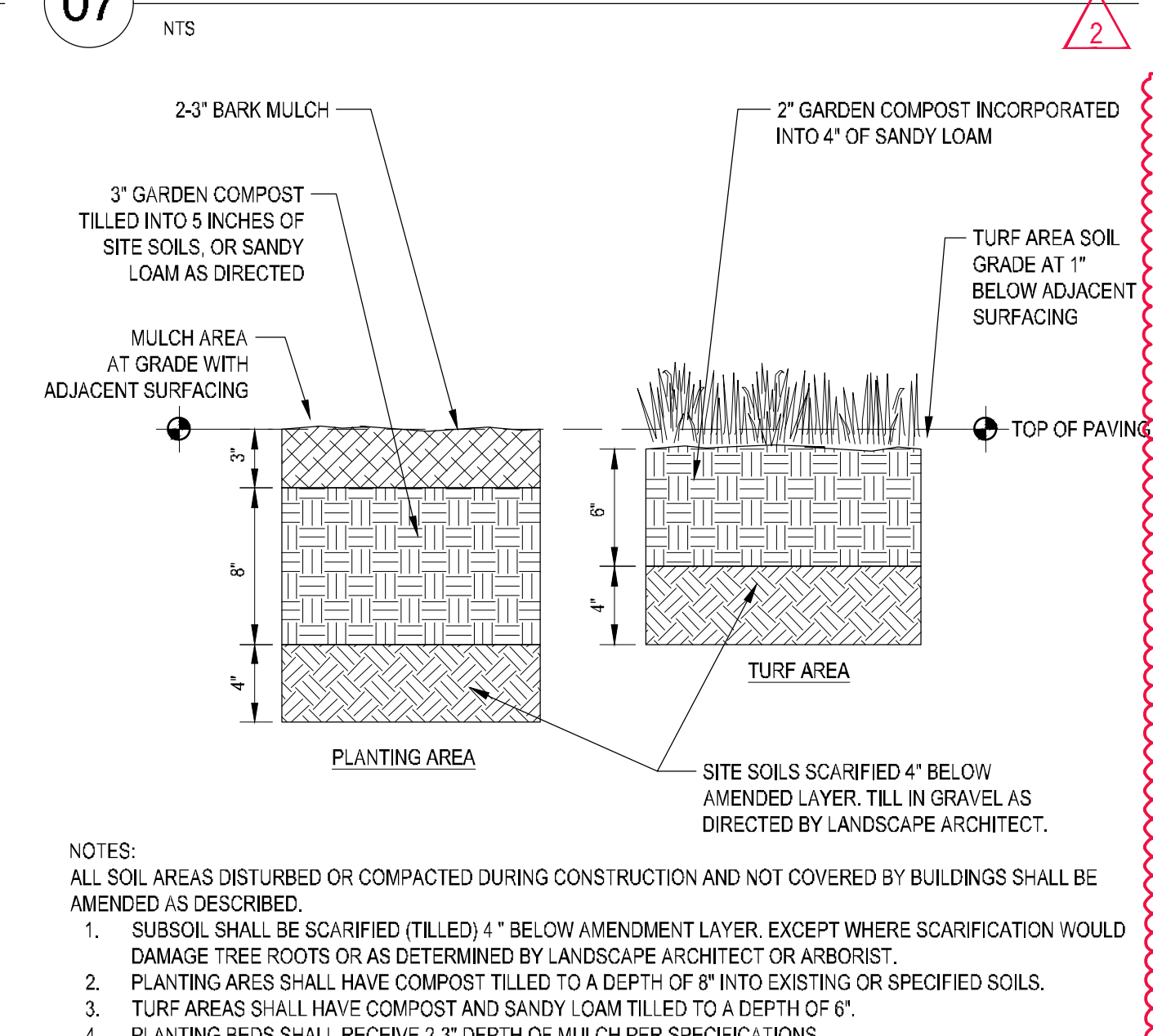
02 BIKE RACK ON GRAVEL - IMBED



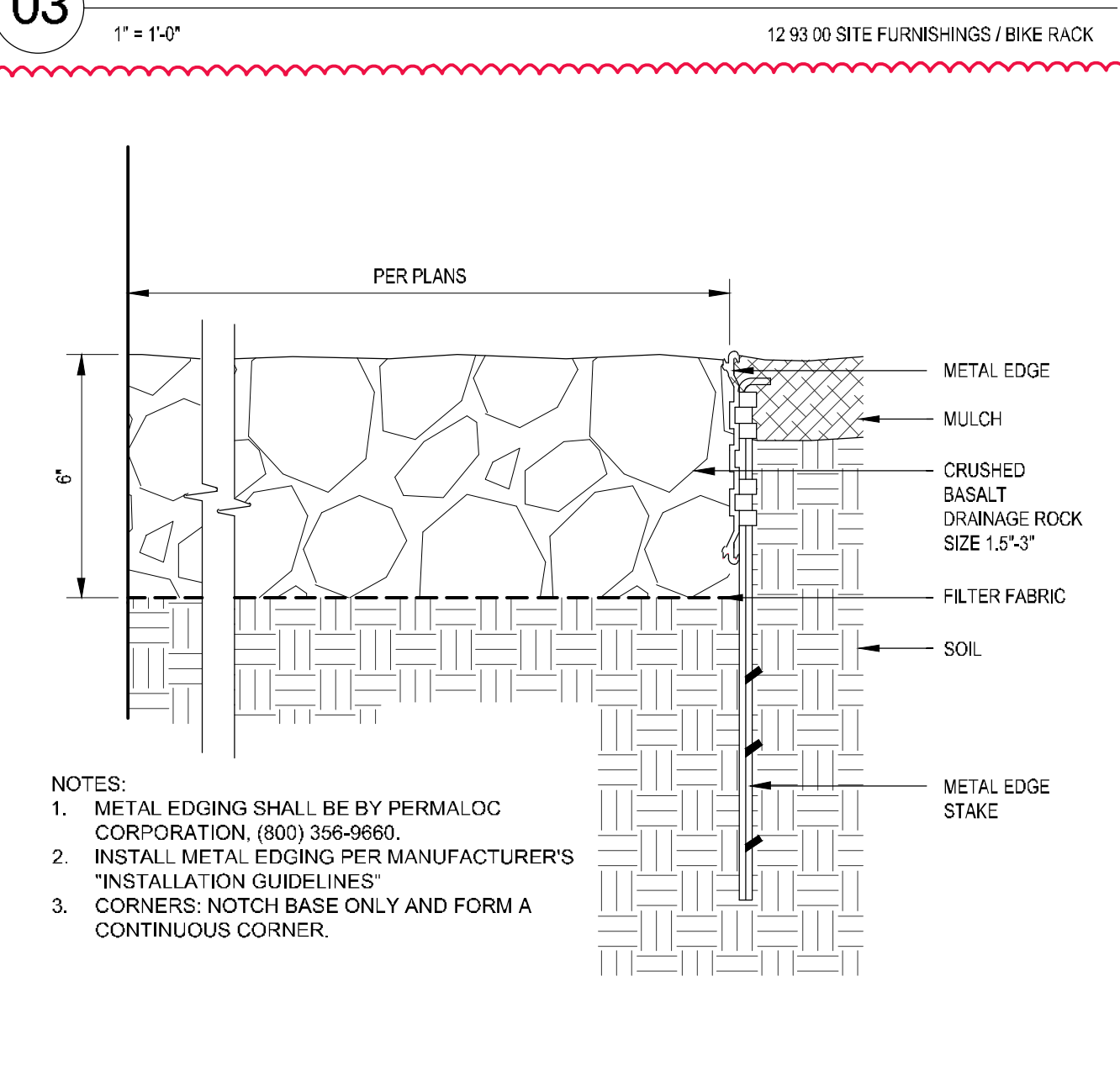
11 TREE ROOT BARRIER - LINEAR



07 GROUNDCOVER SPACING



03 BIKE RACK - EMBED CONCRETE MOUNT



12 SHRUB PLANTING



08 SOIL AMENDMENT AND DEPTH



04 MAINTENANCE EDGE



THESE DRAWINGS ARE THE ORIGINAL UNPUBLISHED WORK OF THE ARCHITECT AND MAY NOT BE DUPLICATED OR USED WITHOUT THE WRITTEN CONSENT OF THE ARCHITECT.