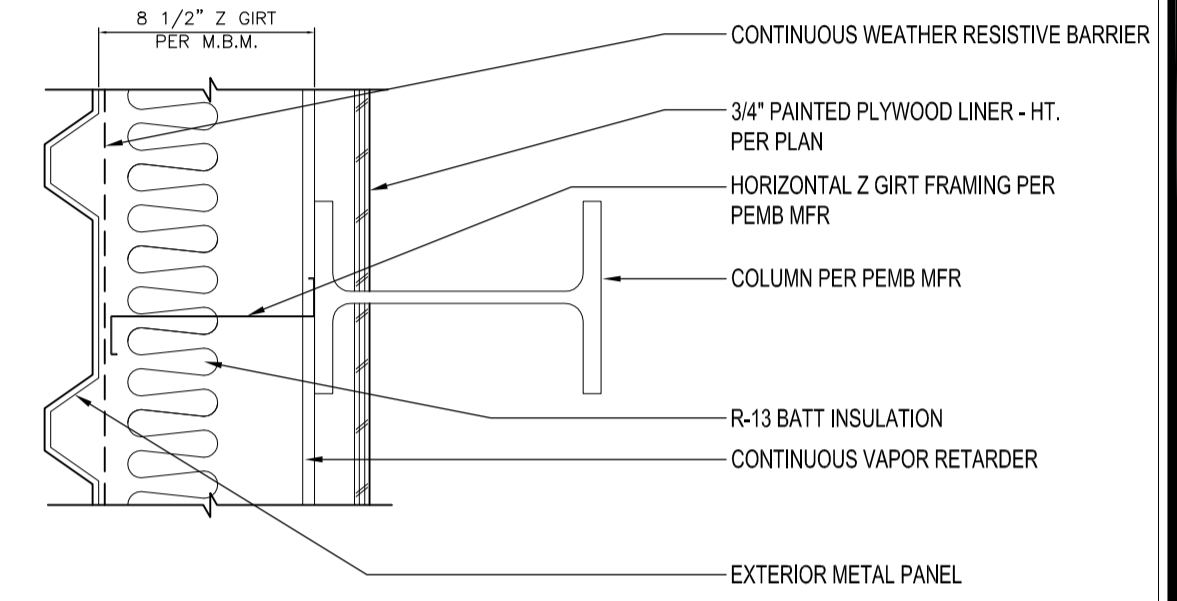


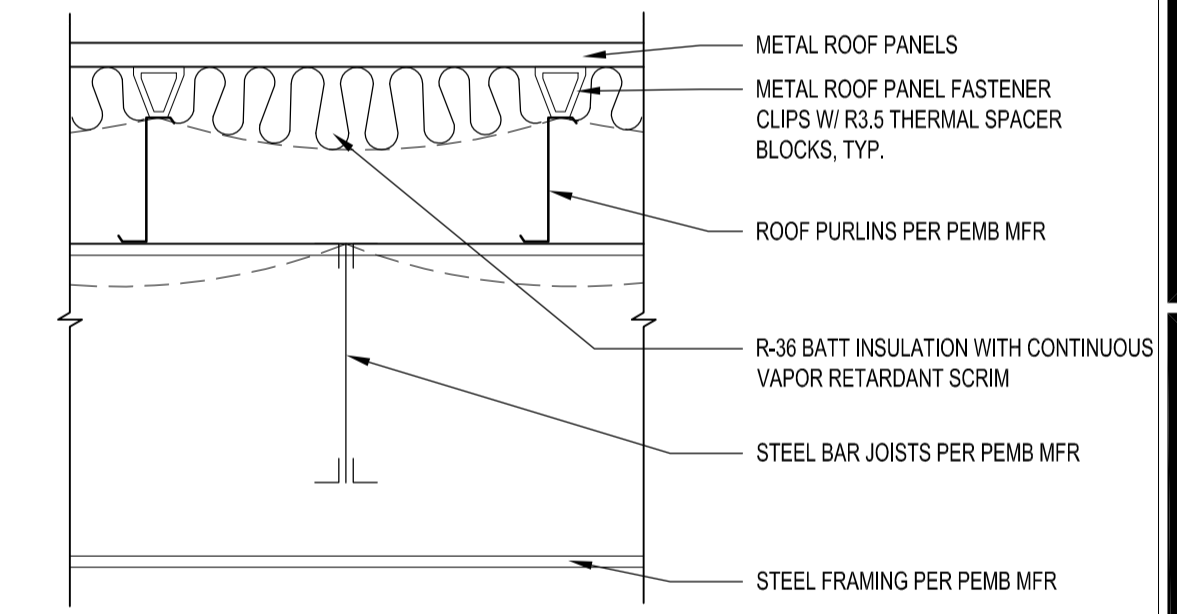
**REVIEWED FOR
CODE COMPLIANCE**
BP-17-3412-CADD
501 SE 2ND ST
BLDG B



NOTE: REFERENCE PEMB CONSTRUCTION DRAWINGS FOR ALL METAL BUILDING INFORMATION

FIRE RATING: UNPROTECTED
STC RATING: NOT APPLICABLE
REFERENCE NO.: NOT APPLICABLE

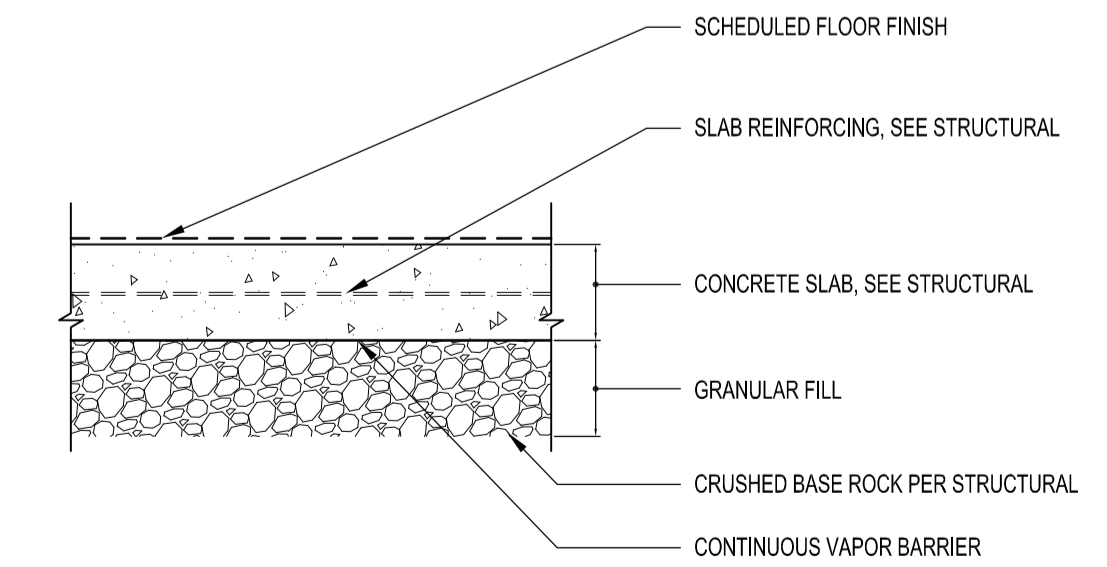
1 WALL TYPE - G85.2
1 1/2" = 1'-0"



NOTE: REFERENCE PEMB CONSTRUCTION DRAWINGS FOR ALL METAL BUILDING INFORMATION

FIRE RATING: UNPROTECTED
STC RATING: NOT APPLICABLE
REFERENCE NO.: NOT APPLICABLE

2 ROOF TYPE - R1
NTS



3 FLOOR TYPE - F1
1 1/2" = 1'-0"

COPYRIGHT 2016
STEELE ASSOCIATES ARCHITECTS, LLC.
All rights reserved. Reproduction or use in any form or by any means (graphic, electronic, mechanical, etc.) without written permission of STEELE ASSOCIATES ARCHITECTS, LLC. is unlawful and subject to criminal prosecution.

STAMP
REGISTERED ARCHITECT
3315
SCOTT T. STEELE
BEND, OREGON
STATE OF OREGON

STEELE ASSOCIATES
ARCHITECTS LLC
686 NW YORK DRIVE #150
541.382.9867 FAX 541.385.8816
BEND, OR 97703
info@steele-arch.com

BLS - TRANSPORTATION FACILITY 2017
501 SE 2ND STREET BEND, OR.
ASSEMBLY TYPES - SHOP BUILDING

JOB NO.	16116.01
DATE	5/31/2017
DRAWN BY	AL
CHECKED BY	DAO/STS
REVISIONS	DATE
PERMIT SUBMITTAL	07/14/2017

SHEET NO.
A5.01